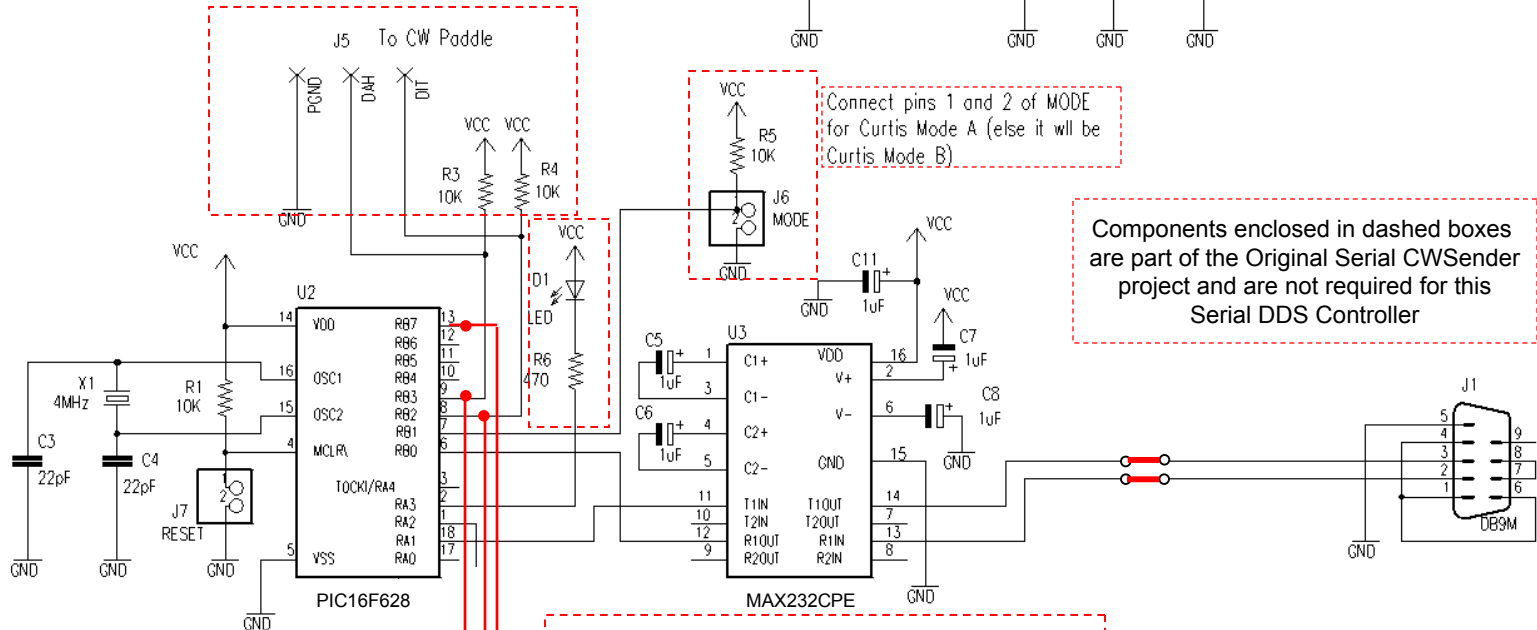
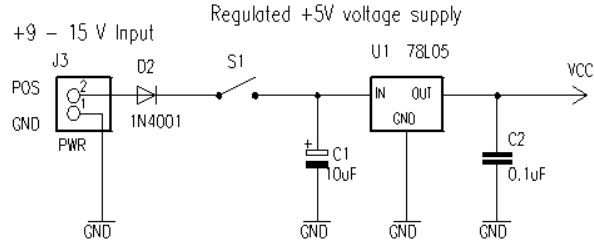


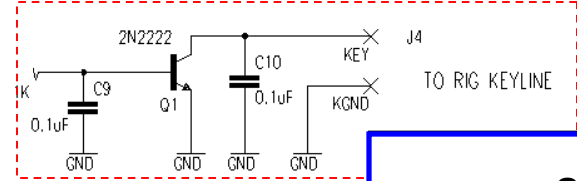
NOTE: All resistors are 1/4 or 1/8 watt.  
 C1, C5 through C8, and C11 are 35V (or greater) electrolytic capacitors.



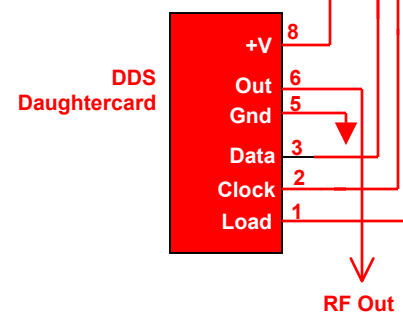
Connect pins 1 and 2 of MODE for Curtis Mode A (else it will be Curtis Mode B)

Components enclosed in dashed boxes are part of the Original Serial CWSender project and are not required for this Serial DDS Controller

Temporarily short pins 1 and 2 of the RESET pad to reset the PIC microprocessor.



Connect KEY to the key jack of your transceiver. Make sure your transceiver keys by grounding the key line (standard for QRP rigs).



## Serial DDS Controller

Dave Ek, NK0E  
George Heron, N2APB

February 14, 2004